

⚡ Specifications

Nominal Voltage(V)

12V

Nominal Capacity

| | | |
|--------------|--------------------|----------|
| 20 hour rate | (6.25A to 10.50V) | 125Ah |
| 10 hour rate | (12.5A to 10.80V) | 125Ah |
| 5 hour rate | (21.25A to 10.20V) | 106.25Ah |
| 1 hour rate | (75A to 9.60V) | 75Ah |

Weight

Approx. 39.6kg(87.12Lbs.)

Internal Resistance (at 1KHz)

Approx. 3.2 mΩ

Maximum Discharge Current for

5 seconds: 1250A

Charging Methods at 25°C(77°F)

| | |
|----------------------------|---------------|
| Maximum Charging Current : | 37.5A |
| Standby use: | |
| Float Charging Voltage | 13.5 to 13.8V |
| Coefficient -3.0mV/°C/cell | |

Operating Temperature Range

| | | | |
|-----------|------------|----|-------------|
| Charge | -15°C(5°F) | to | 40°C(104°F) |
| Discharge | -15°C(5°F) | to | 50°C(122°F) |
| Storage | -15°C(5°F) | to | 40°C(104°F) |

Charge Retention (shelf life) at 20°C(68°F)

| | |
|---------|-----|
| 1 month | 98% |
| 3 month | 94% |
| 6 month | 85% |

Case Material

ABS UL94 HB
Option: Flammability resistance of (UL94 V-0)

Design Life & Standard

Expected Trickle Design Life: 10-12 years at 20°C according to Eurobat.

Terminal

F18

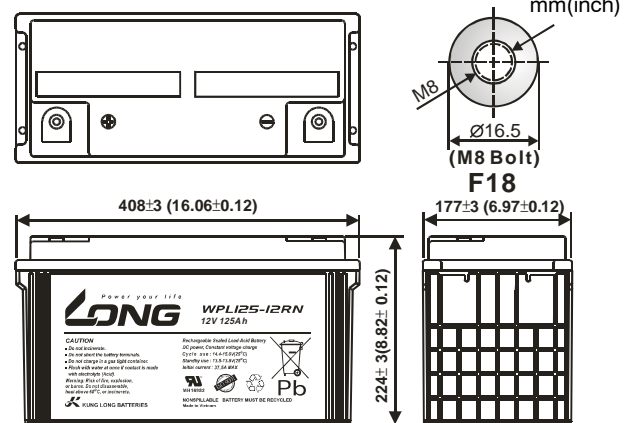


⚡ Dimensions

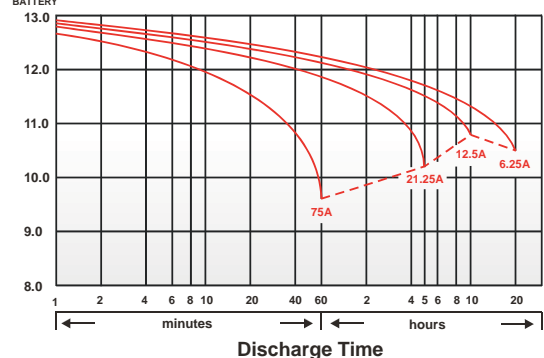
| | |
|---------------------|--------------------|
| Length (L) | 408±3 (16.06±0.12) |
| Width (W) | 177±3 (6.97±0.12) |
| Height (H) | 224±3 (8.82±0.12) |
| Overall Height (HT) | 224±3 (8.82±0.12) |

Description of torque value of hard ware for the terminals:

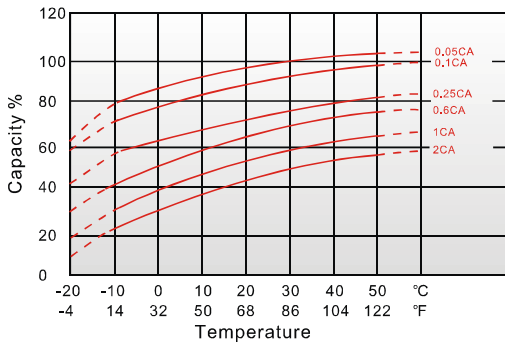
| | |
|--------------------------------|-----------------------|
| Recommended torque value | M8:12 N-m (122kgf-cm) |
| Maximum allowable torque value | M8:20 N-m (204kgf-cm) |



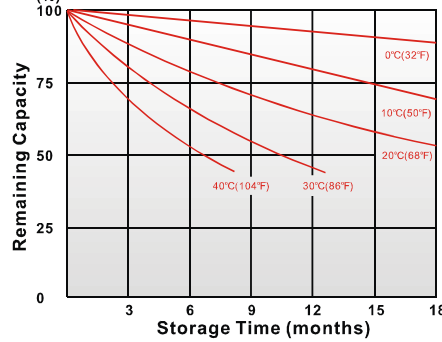
(V) FOR 12V BATTERY Discharge Time VS. Discharge Current (25°C)



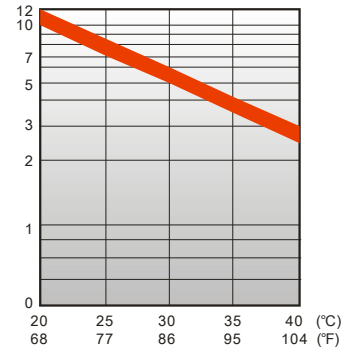
Effect of Temperature on Capacity 25°C(77°F)



Capacity Retention Characteristic



Trickle (or float) Service Life



- PERFORMANCE DATA

Discharge Rates in Watts to Various End Voltages at 25°C(77°F)

| End Voltage | | 1.80V | 1.75V | 1.70V | 1.67V | 1.60V |
|-------------|-----|-------|-------|-------|-------|-------|
| Time | | | | | | |
| 5 | min | 561 | 644 | 692 | 732 | 767 |
| 10 | min | 454 | 492 | 549 | 559 | 570 |
| 15 | min | 392 | 410 | 433 | 437 | 440 |
| 20 | min | 327 | 339 | 354 | 357 | 359 |
| 30 | min | 249 | 256 | 264 | 266 | 268 |
| 45 | min | 186 | 191 | 193 | 195 | 197 |
| 60 | min | 150 | 153 | 155 | 157 | 158 |
| 120 | min | 87.3 | 88.7 | 88.8 | 89.2 | 89.7 |
| 180 | min | 62.3 | 62.7 | 63.4 | 63.9 | 64.2 |
| 240 | min | 49.7 | 50.2 | 50.5 | 50.8 | 51.2 |
| 300 | min | 42.3 | 42.7 | 43.0 | 43.3 | 43.5 |
| 480 | min | 27.0 | 27.5 | 27.7 | 28.0 | 28.3 |
| 600 | min | 22.0 | 22.5 | 22.8 | 23.0 | 23.2 |
| 1200 | min | 12.3 | 12.5 | 12.6 | 12.7 | 12.8 |

- Discharge Rates in Amperes to Various End Voltages at 25°C(77°F)

| End Voltage | | 1.80V | 1.75V | 1.70V | 1.67V | 1.60V |
|-------------|-----|-------|-------|-------|-------|-------|
| Time | | | | | | |
| 5 | min | 303 | 345 | 378 | 405 | 425 |
| 10 | min | 241 | 265 | 301 | 318 | 328 |
| 15 | min | 205 | 215 | 229 | 234 | 239 |
| 20 | min | 171 | 176 | 185 | 190 | 193 |
| 30 | min | 129 | 133 | 137 | 139 | 141 |
| 45 | min | 96.2 | 99.0 | 101 | 103 | 104 |
| 60 | min | 77.2 | 78.5 | 79.4 | 79.8 | 80.2 |
| 120 | min | 44.1 | 44.9 | 45.2 | 45.5 | 45.7 |
| 180 | min | 30.6 | 31.3 | 31.7 | 32.0 | 32.3 |
| 240 | min | 25.0 | 25.1 | 25.3 | 25.6 | 25.8 |
| 300 | min | 21.2 | 21.4 | 21.6 | 21.8 | 21.9 |
| 480 | min | 13.6 | 13.7 | 13.8 | 13.9 | 14.0 |
| 600 | min | 12.5 | 12.7 | 12.8 | 12.9 | 13.0 |
| 1200 | min | 6.28 | 6.36 | 6.42 | 6.47 | 6.52 |

All data on the spec. sheet is an average value:

The tolerance range : $X < 6\text{min}$ (+15%~-15%), $6\text{min} \leq X < 10\text{min}$ (+12%~-12%), $10\text{min} \leq X < 60\text{min}$ (+8%~-8%), $X \geq 60\text{min}$ (+5%~-5%)

300623-1K