

⚡ Specifications

Nominal Voltage(V)

12V

Nominal Capacity

| | | | | |
|--------------|--------|----|---------|-------|
| 10 hour rate | (0.6A | to | 10.50V) | 6Ah |
| 5 hour rate | (1.02A | to | 10.20V) | 5.1Ah |
| 1 C | (6A | to | 9.60V) | 2.7Ah |
| 3 C | (18A | to | 9.60V) | 2.1Ah |

Weight

Approx. 2.1kg(4.62Lbs.)

Internal Resistance (at 1KHz)

Approx. 13.6 mΩ

Cold Cranking Amperes (-17.8°C)

90A

High rate discharge characteristics (-10°C)

| | |
|-----------------------|--------|
| Discharge current (A) | 40A |
| Duration (min) | 0.9min |
| 5 second voltage (V) | 8.6V |

Operating Temperature Range

| | | | |
|-----------|------------|----|-------------|
| Charge | -15°C(5°F) | to | 40°C(104°F) |
| Discharge | -15°C(5°F) | to | 50°C(122°F) |
| Storage | -15°C(5°F) | to | 40°C(104°F) |

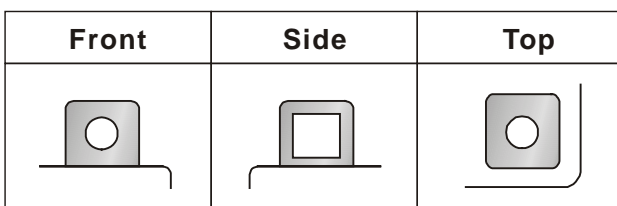
Charge Retention (shelf life) at 20°C(68°F)

| | |
|---------|-----|
| 1 month | 92% |
| 3 month | 90% |
| 6 month | 80% |

Case Material

PP

Terminal Shape



⚡ Dimensions

Length (L)

113+2-1 (4.45+0.08-0.04)

Width (W)

70+2-1 (2.76+0.08-0.04)

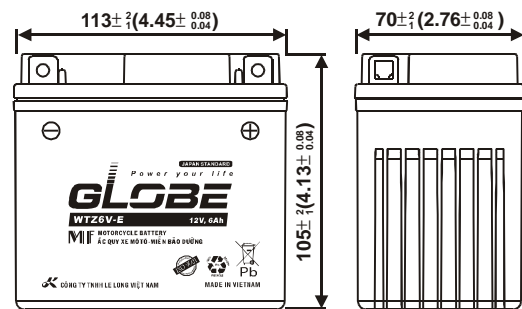
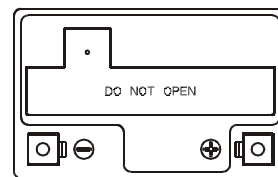
Height (H)

105+2-1 (4.13+0.08-0.04)

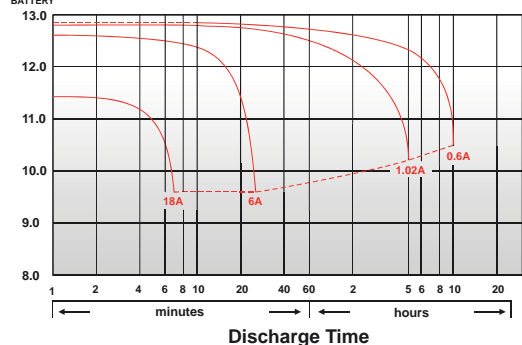
Overall Height (HT)

105+2-1 (4.13+0.08-0.04)

mm(inch)



(V) FOR 12V BATTERY Discharge Time VS. Discharge Current (25°C)



111121-1C-V